

AZEK Porch should be installed using the same good building principles used to install wood porch products. Additionally, local building codes and the installation guidelines included below should be followed.

PREPARATION:

- **Joists should be sloped at 1/4" per foot away from the house to facilitate drainage.**
- If using AZEK Porch board on an existing porch, remove existing flooring and make sure joists are structurally sound, free of nails and spaced at a maximum of 16" center to center.
- For new construction, space joists at 16" on center maximum and slope the joists away from the house at 1/4" per foot.
- If installing porch plank at 45° angle, space joists at 12" centers.
- Be sure to install sufficient wood blocking below areas where railing posts will be installed.
- Provide proper structural support below AZEK Porch where load bearing columns are present.
- Items related to stair construction, structural framing or any other general construction questions should be reviewed with the local code authority, engineer, or architect.

TOOLS:

- AZEK Porch can be installed using the same tools you would use to install wood porch products.

FASTENERS:

- Listed are several suggested fastening methods. Additional fastening methods may exist for AZEK Porch.
- Minimum #7 x 2" 305 stainless steel trim head screw with #17 drill point.
- When using a manual or pneumatic flooring nailer, we suggest using barbed/serrated 2" stainless steel cleat "T" nails.
- For salt water coastal applications, we suggest using 316 stainless steel fasteners.

EXPANSION AND CONTRACTION:

- When fastened properly, AZEK Porch will demonstrate minimal changes due to expansion and contraction. Best practice is to cut and fasten AZEK Porch boards as soon after cutting as possible. As a general rule, when temperature is above 32°F, keep end butts and miters tight. When temperature is below 32°F, leave a gap of approximately 1/16".

INSTALLATION DETAILS:

- AZEK Porch is one-sided with the grain side up for the walking surface.
- Install starting board with grooved edge against the house or on the outside edge of the porch if the boards will run perpendicular to the house.
- Attach the starting board by first installing fasteners down through the board at the edge nearest the groove.
- Then attach at each joist by driving a fastener through the tongue at the approximate angle shown in the Diagram 1.
- Fasteners should seat approximately 1/16" into the surface of the product above the tongue as shown to allow for complete insertion of the next board.

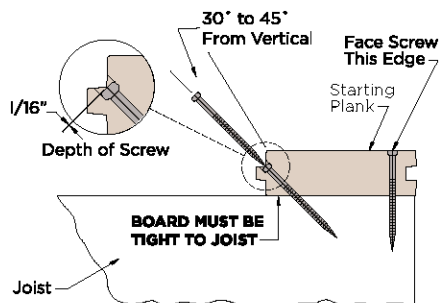


Diagram 1

- AZEK Porch must be fastened tight to joist. If there are variations in framing, shims may be required.
- Install the next board by inserting the grooved edge over the exposed tongue on the starting board. It may be necessary to apply light pressure to ensure the board is engaged completely to minimize irregularity in top seam.
- After board is fully engaged onto the starting board, drive fasteners through the tongue at each joist as shown in Diagram 2. Remember to countersink the fasteners slightly to provide necessary clearance when installing the next board.
- Continue to add boards per steps 3 and 4 until outer edge of porch is reached.
- Final board may require removal of tongue or rip cutting to a necessary width. Use a table saw or circular saw to accomplish this. Attach the last board by face fastening through the top or toe fasten along the outer edge.

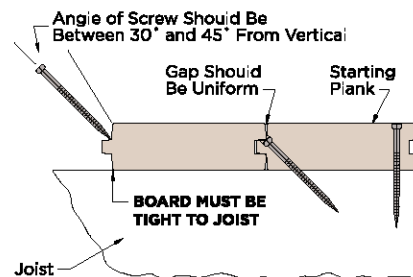


Diagram 2

PERIMETER DETAILS:

- There are many options for completing the look of your AZEK Porch; a few are listed here.
- Rout outside edge with a carbide tipped router bit as desired.
- Cover exposed edge with AZEK Trim or AZEK Deck rim joist cover.
- Picture frame the entire porch using AZEK Deck 1 x 3 1/2 or 1 x 5 1/2 as a border. If this option is desired, layout porch accordingly to accommodate.
- Attach AZEK Moulding to exposed edge.

STAIR DETAILS:

- AZEK Porch may be used for stair treads. AZEK Deck 1 x 3 1/2 or 1 x 5 1/2 may also be used. AZEK Deck rim joist cover or AZEK Trim can be used to trim out the risers.
- Some codes may require specific framing or structural requirements. Check with your local code authorities pertaining to specific stair requirements.

PAINTING:

- Painting is not recommended for AZEK Porch.

CARE AND MAINTENANCE:

To keep your AZEK Porch looking its best:

- Wash AZEK Porch periodically using liquid soap such as dish soap, car wash or specifically formulated all purpose deck cleaners.
- Avoid using cleaners containing abrasives which can dull the surface of the porch board.
- Avoid the use of rubber backed mats.

For ice removal:

- Most products containing calcium chloride can be used without damage to the porch surface.
- These products may leave a white residue which can be cleaned using the cleaning guidelines above.